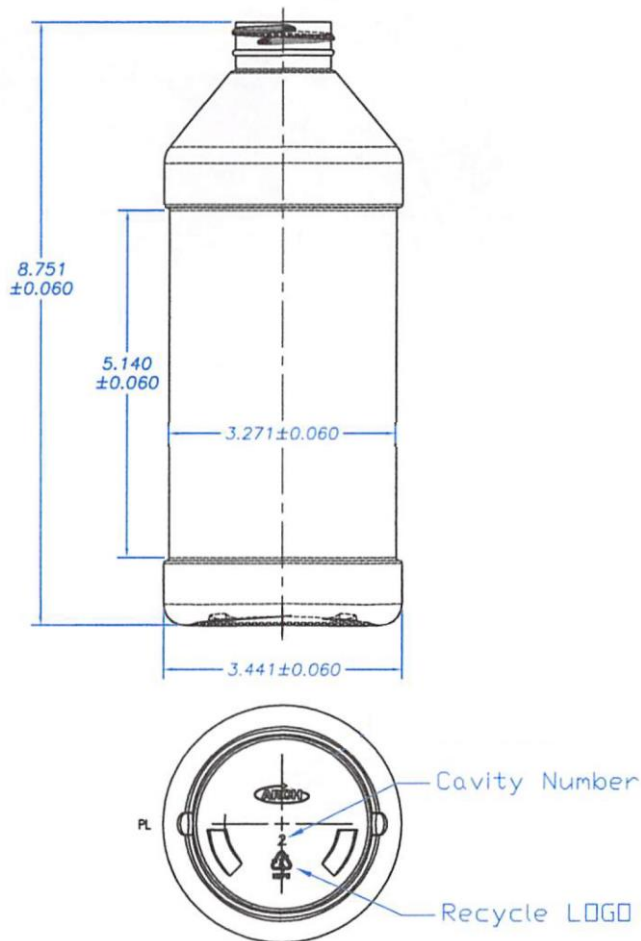


Date Created: 3/16/23

32oz HDPE MR

Bottle Data Sheet



ARCH # 057212-XXXX

MOLD # K380A0 (8 Cavities, #1 to #8)

RESIN & COLORANT: FDA COMPLIANT

OVERFLOW CAPACITY: 1003.0 ± 15.0 ml

HEIGHT: 8.751 ± 0.060 Inch

WEIGHT: 64.0 ± 3.0 g

DIAMETER: 3.441 ± 0.060 Inch

NECK FINISH: M38SP400

BOTTLE PER BOX: 104 (LAYERED PACK)

BOTTLE PER PALLET: 1,664

BOTTLE PER 53' TRUCK: 46,592

PALLET WEIGHT: 308 lbs

STOCK COLORS: Natural